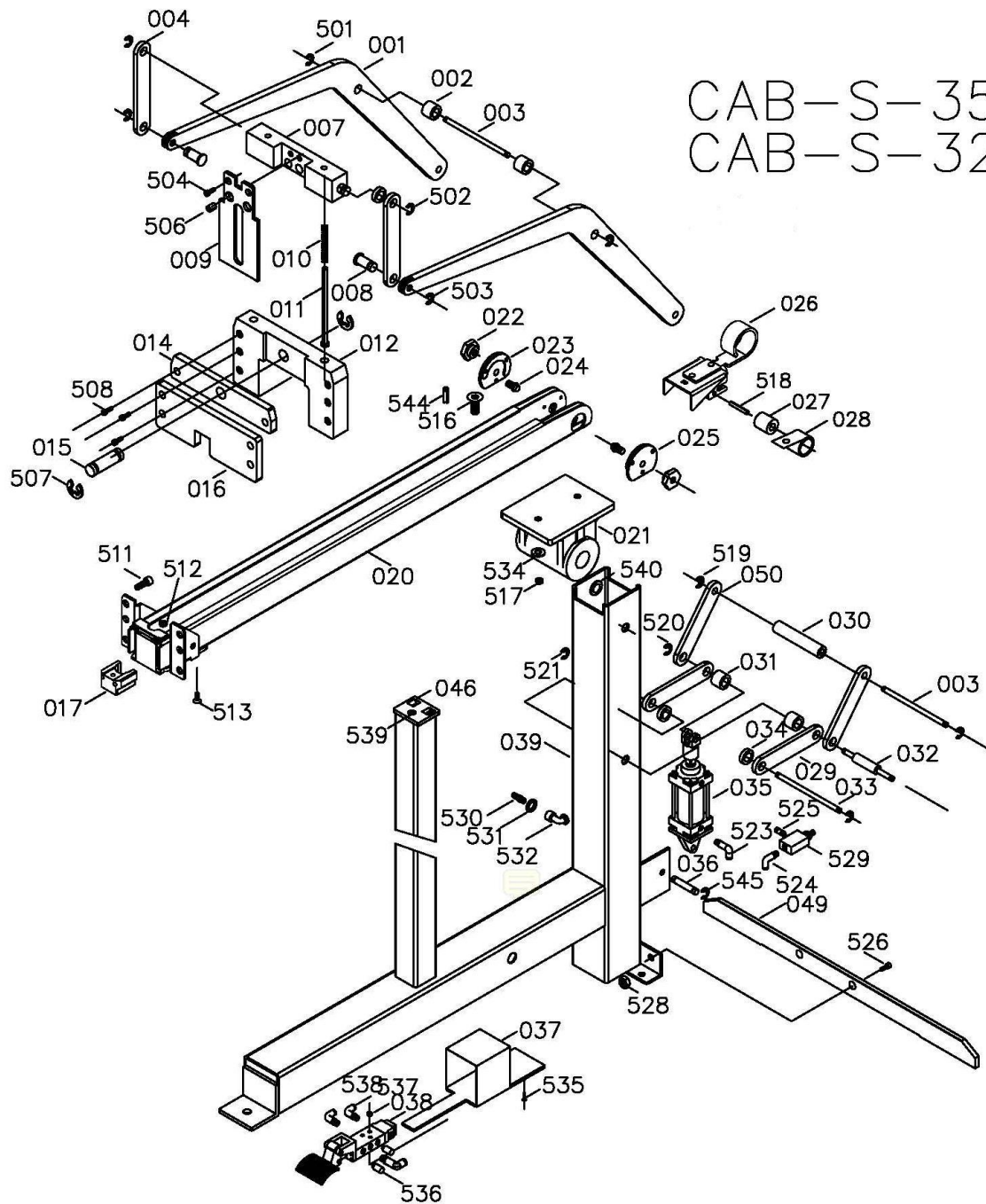


DESPIECE DE LA HERRAMIENTA

Usted encontrará en un círculo rojo las piezas desgastadas recomendadas para mantener en stock.



Resorte 028

Resorte 011

Resorte 010

KIT: 1 resorte (028), 2 resortes (011) y 2 resortes (010)

Model : CAB

Item	No. Parte	Descripción	Q'ty	Specification	Precio de Lista
001	A00600102	LINK 1	2		862.46
002	A00603401	TUBE	2		64.66
003	A00603201	SHAFT E	2		103.46
004	A00600401	LINK 2	2		42.84
007	A00600703	DRIVER SEAT	1		491.45
008	A00600801	SHAFT C	2		90.53
009	A00600904	DRIVER	1	35	258.66
009	A00600905	DRIVER	1	32	258.66
009	A00600906	DRIVER	1	34	258.66
010	A00601002	SPRING	2		25.87
011	A00601103@	SPRING SHAFT	2		122.86
012	A00601202	MAGAZINE SEAT	1	35	975.62
012	A00601203	MAGAZINE SEAT	1	32	975.62
012	A00601204	MAGAZINE SEAT	1	34	975.62
014	A00601405	COVER B	1	35	258.66
014	A00601403	COVER B	1	32	258.66
014	A00601404	COVER B	1	34	258.66
015	A00601502	SHAFT D	1		86.49
016	A00601605	COVER A	1	35	274.82
016	A00601603	COVER A	1	32	274.82
016	A00601604	COVER A	1	34	274.82
017	A00105601	BRACKET	1		139.84
020	CMB-S-35-P3	MAGAZINE UNIT	1	35	2,212.33
020	CMB-S-32-P3	MAGAZINE UNIT	1	32	2,212.33
020	CMB-S-34-P3	MAGAZINE UNIT	1	34	2,212.33
021	A00602101	BRACKET	1		425.98
022	A00103102	NUT	2		33.95
023	A00103903@	RIGHT PUSHER GUIDE	1		44.46
024	A00103203	ROD	2		33.95
025	A00103904@	LEFT PUSHER GUIDE	1		44.46
026	A00103707@	PUSHER SET	1	35	286.14
026	A00103706@	PUSHER SET	1	32	286.14
026	A00103708@	PUSHER SET	1	34	286.14
027	A00103501	ROLLER	1		28.29
028	A00602801	SPRING	1		155.19
029	A00602901	LINK 3	4		97.00
030	A00603002	TUBE	1		161.66
031	A00700102	TUBE	2		129.33
032	A00700202	SHAFT K	1		103.46
033	A00603302	SHAFT F	1		90.53
034	A00603402	TUBE	2		45.27
035	BAI0101	CYLINDER SET	1	ψ50, S=100mm	3,416.70
037	A00700301@	SWITCH COVER UNIT	1		834.98
038	BAI0301	SWITCH	1		1,481.88

Model : CAB

Item	No. Parte	Descripción	Q'ty	Specification	Precio de Lista
039	A00603902@	BODY SET	1		6,652.34
046	A00604601	MOLD	1	35,34	193.99
046	A00604606	MOLD	1	32	193.99
049	A00604901	BALANCER	1		525.40
501	BAF11002	E-RING	2	ψ10	13.27
502	BAF10502	E-RING	2	ψ5	13.27
503	BAF10502	E-RING	2	ψ5	13.27
504	BAC0604102	HEX.SOC.HD.BOLT	2	M4 x 0.7-10	13.27
506	BAA060016	SPRING PIN	2	ψ6-16	13.27
507	BAF10602	E-RING	2	ψ6	13.27
508	BAC0605182	HEX.SOC.HD.BOLT	6	M5 x 0.8-18	13.27
510	BAE01052	SPRING WASHER	6	M5	13.27
511	BAC0605082	HEX.SOC.HD.BOLT	6	M5 x 0.8-8	13.27
512	BAD01041	LOCK NUT	1	M4 x 0.7	13.27
513	BAC0204202	HEX.SOC.FLAT COUNT	1	M4 x 0.7-20	13.27
516	BAC0205202	HEX.SOC.FLAT COUNT	2	M5 x 0.8-20	13.27
517	BAD02052	LOCK NUT	2	M5 x 0.8	13.27
518	BAA040016	SPRING PIN	1	ψ4-16	13.27
519	BAF11002	E-RING	2	ψ10	13.27
520	BAF11002	E-RING	2	ψ10	13.27
521	BAF11002	E-RING	2	ψ10	13.27
523	BAI0401	ADJUSTER	1	1/4"	206.93
524	BAC0406202	HEX.SOC.HD.BOLT	4	M6 x 1-20	13.27
525	BAD01061	LOCK NUT	4	M6 x 1	13.27
526	BAC0408202	HEX.SOC.HD.BOLT	2	M8 x 1.25-20	13.27
527	BAI0601	GLOVE	2	ψ3/4"	19.40
528	BAD01081	LOCK NUT	2	M8 x 1.25	13.27
529	A00100802	AIR PLUG	1	U.S.A. 1/4"x1/4"	21.02
530	BAI1001	DOUBLE SCREW TUBE	1	1/4"X1/4"	48.50
531	BAI1101	ADJUSTER	1	1/4"	848.72
532	BAI0701	PU PLUG	1	1/4" x 8-90°	48.50
533	BAI0602	GLOVE	1	ψ 3/4"	13.27
534	BAE03051	WASHER	2	ψ 5.1x ψ 12x ψ 0.8	13.27
535	BAC050011	FLAT HEAD SCREW	3	1/4"-1 1/2 UNC	13.27
536	BAI0501	DEFLECTOR	2	1/4"	51.73
537	BAD03011	NUT	3	1/4"NUC	13.27
538	BAI0703	PU PLUG	3	1/4" x 8-90°	48.50
539	BAC0204082	HEX.SOC.FLAT COUNT	1	M4 x 0.7-8	13.27
540	BAE03142	WAVE WASHER	2	ψ16.7 x ψ22.5	13.27
541	BAI0803	TUBE	1	ψ5 xψ8x130 CM	296.65
542	BAI0804	TUBE	1	ψ5 xψ8x145CM	323.32
543	BAI0805	TUBE	1	ψ5 xψ8x120CM	350.00
544	BAA040012	SPRING PIN	4	ψ4 x 12	13.27
545	BAF11502	E-RING	2	ψ15	13.27