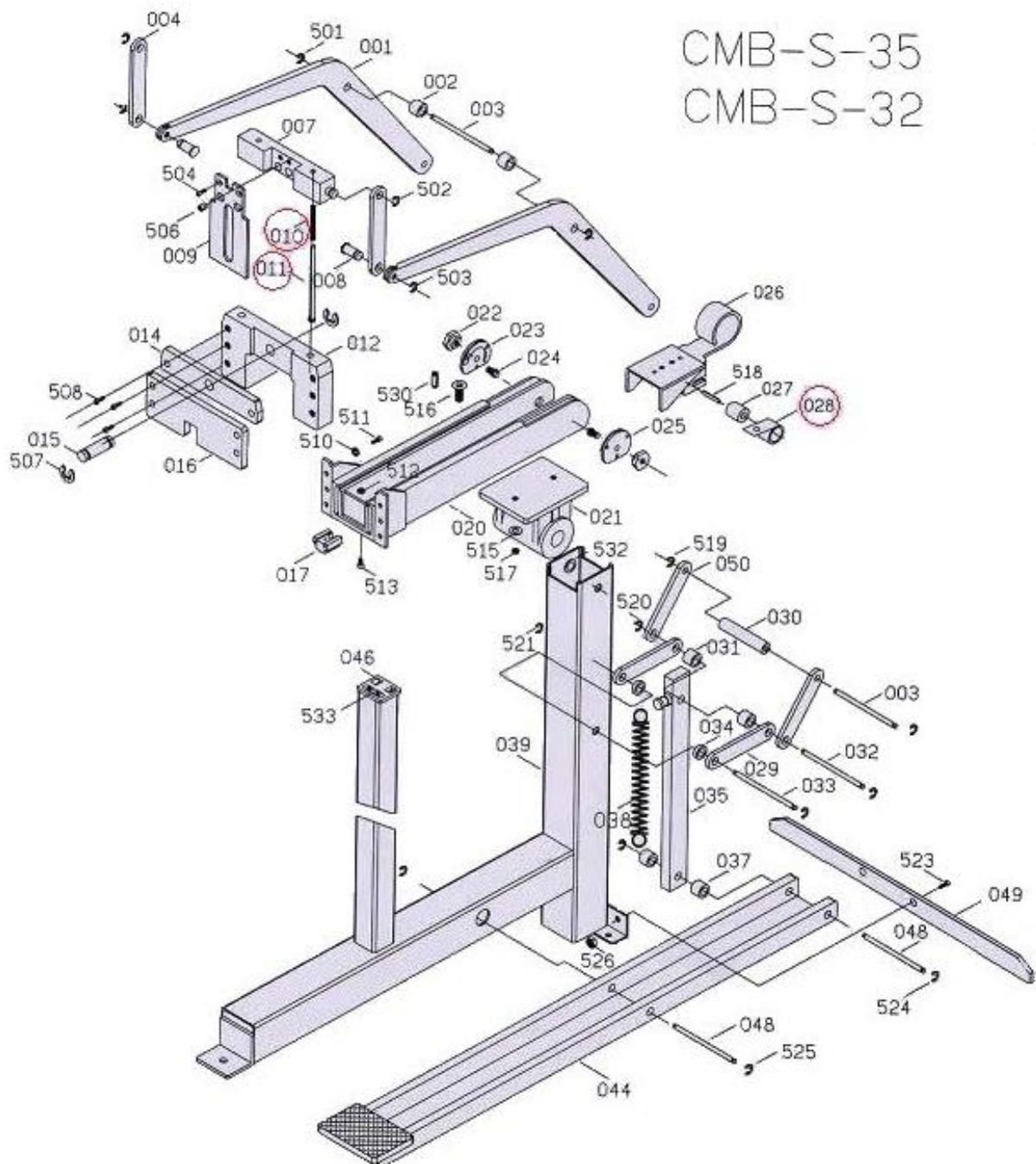


DESPIECE DE LA HERRAMIENTA

Usted encontrará en un círculo rojo las piezas desgastadas recomendadas para mantener en stock.



Resorte 028

Resorte 011

Resorte 010

KIT: 1 resorte (028), 2 resortes (011) y 2 resortes (010)

LISTA DE PARTES

Model : CMB					
Item	No. Parte	Descripción	Q'ty	Specification	Precio de Lista
001	A00600102	LINK 1	2		862.46
002	A00603401	TUBE	2		64.66
003	A00603201	SHAFT A	2		103.46
004	A00600401	LINK 2	2		42.84
007	A00600703	DRIVER SEAT	1		491.45
008	A00600801	SHAFT C	2		90.53
009	A00600904	DRIVER	1	35	258.66
009	A00600905	DRIVER	1	32	258.66
009	A00600906	DRIVER	1	34	258.66
010	A00601002	SPRING	2		25.87
011	A00601103@	SPRING SHAFT	2		122.86
012	A00601202	MAGAZINE SEAT	1	35	975.62
012	A00601203	MAGAZINE SEAT	1	32	975.62
012	A00601204	MAGAZINE SEAT	1	34	975.62
014	A00601405	COVER B	1	35	258.66
014	A00601403	COVER B	1	32	258.66
014	A00601404	COVER B	1	34	258.66
015	A00601502	SHAFT D	1		86.49
016	A00601605	COVER A	1	35	274.82
016	A00601603	COVER A	1	32	274.82
016	A00601604	COVER A	1	34	274.82
017	A00105601	BRACKET	1		139.84
019	A00607001	WASHER	2		21.82
020	CMB-S-35-P3	MAGAZINE UNIT	1	35	2,212.33
020	CMB-S-32-P3	MAGAZINE UNIT	1	32	2,212.33
020	CMB-S-34-P3	MAGAZINE UNIT	1	34	2,212.33
021	CMB-P12	BRACKET	1		425.98
022	A00103102	NUT	2		33.95
023	A00103903@	RIGHT PUSHER GUIDE	1		44.46
024	A00103203	ROD	2		33.95
025	A00103904@	LEFT PUSHER GUIDE	1		44.46
026	A00103707@	PUSHER SET	1	35	286.14
026	A00103706@	PUSHER SET	1	32	286.14
026	A00103708@	PUSHER SET	1	34	286.14
027	A00103501	ROLLER	1		28.29
028	A00602801	SPRING	1		155.19
029	A00602901	LINK 3	4		97.00
030	A00603002	TUBE	1		161.66

Model : CMB					
Item	No. Parte	Descripción	Q'ty	Specification	Precio de Lista
031	A00603701	TUBE	2		97.00
032	A00603202	SHAFT E	1		103.46
033	A00603302	SHAFT F	1		90.53
034	A00603402	TUBE	2		45.27
035	A00603501@	LINK 4 SET	1		834.17
037	A00603701	TUBE	2		97.00
038	A00603801	SPRING	1		258.66
039	A00603904@	BODY SET	1		5,975.79
044	A00604402@	STEP BOARD SET	1		2,142.01
046	A00604601	MOLD	1	35	193.99
046	A00604606	MOLD	1	32,34	193.99
048	A00604801	SHAFT G	2		97.00
049	A00604901	BALANCER	1		525.40
501	BAF11002	E-RING	2	ψ10	13.27
502	BAF10502	E-RING	2	ψ5	13.27
503	BAF10502	E-RING	2	ψ5	13.27
504	BAC0604102	HEX.SOC.HD.BOLT	2	M4 x 0.7-10	13.27
506	BAA060016	SPRING PIN	2	ψ6-16	13.27
507	BAF10602	E-RING	2	ψ6	13.27
508	BAC0605102	HEX.SOC.HD.BOLT	6	M5 x 0.8-10	13.27
510	BAE01052	SPRING WASHER	6	M5	13.27
511	BAC0605082	HEX. SOC. HD. BOLT	6	M5x0.8-8	13.27
512	BAD01041	LOCK NUT	1	M4 x 0.7	13.27
513	BAC0204202	HEX.SOC.FLAT COUNTER	1	M4 x 0.7-20	13.27
515	BAE03051	WASHER	4	ψ5.1xψ12x0.8T	13.27
516	BAC0205202	HES.SOC.FLAT COUNTER	2	M5 x 0.8-20	13.27
517	BAD01051	LOCK NUT	2	M5 x0.8	13.27
518	BAA040016	SPRING PIN	1	ψ4-16	13.27
519	BAF11002	E-RING	2	ψ10	13.27
520	BAF11002	E-RING	2	ψ10	13.27
521	BAF11002	E-RING	2	ψ10	13.27
523	BAC0408202	HEX.SOC.HD.BOLT	2	M8 x 1.25-20	13.27
524	BAF11002	E-RING	2	ψ10	13.27
525	BAF11002	E-RING	2	ψ10	13.27
526	BAD01081	LOCK NUT	2	M8 x1.25	13.27
530	BAA040012	SPRING PIN	4	ψ4-12	13.27
532	BAE03142	WAVE WASHER	2	ψ14.5 xψ21	13.27
533	BAC0204082	HEX.SOC.FLAT COUNTER	1	M4 x 0.7-8	13.27

*Precios en moneda nacional