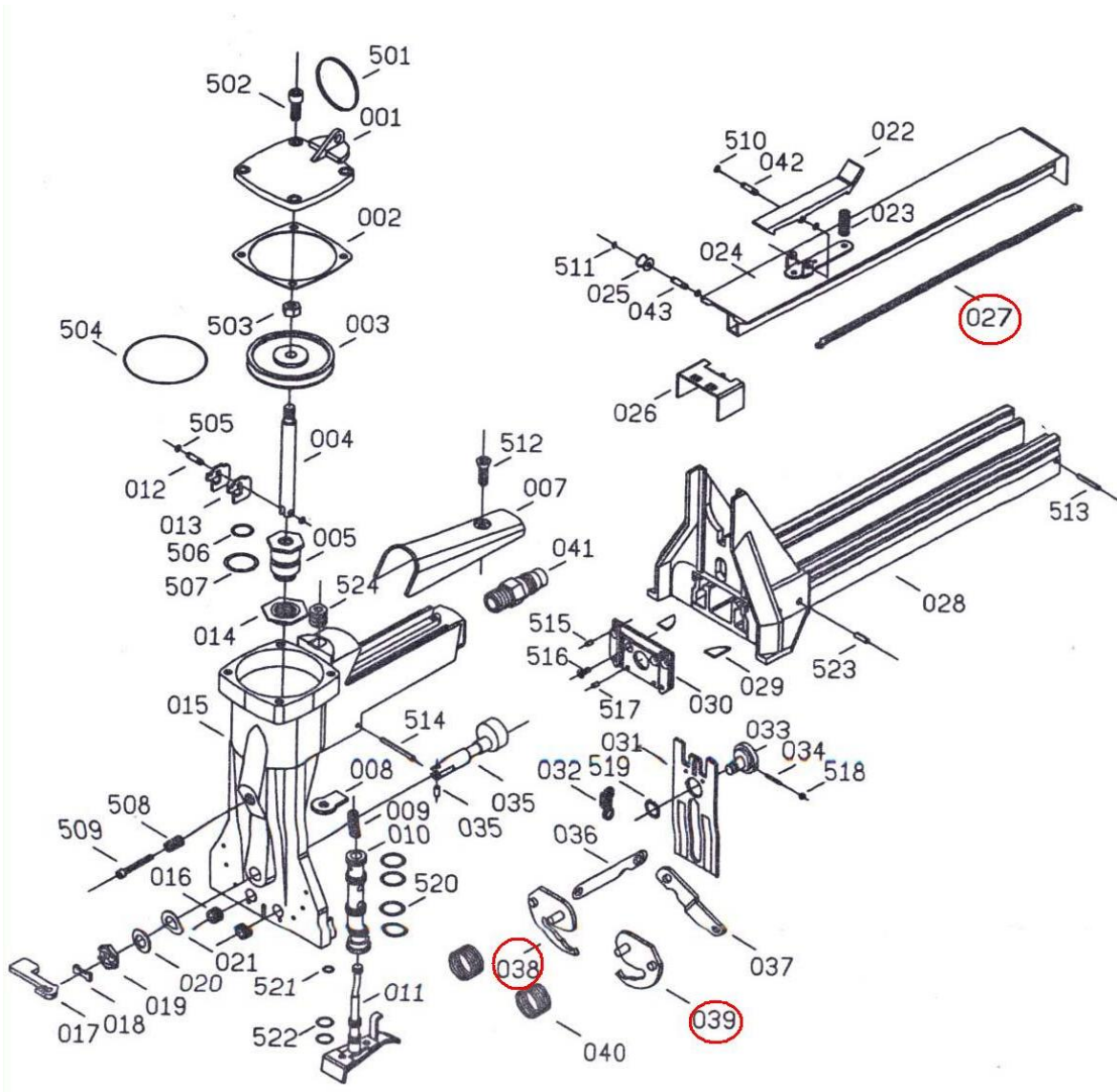


DESPIECE DE LA HERRAMIENTA

Usted encontrará con un círculo las piezas de desgaste recomendadas para mantener en stock.



038- Cuchilla derecha
039 - Cuchilla Izquierda

027- Resorte
Kit: Una cuchilla izquierda, una cuchilla derecha, resorte

LISTA DE PARTES

| Model : MP-19 | | | | | |
|---------------|------------|-------------------|------|---------------|-----------------|
| Item | No. Parte | Descripción | Q'ty | Specification | Precio de Lista |
| 001 | A04800101 | CAP | 1 | | 80.83 |
| 002 | A04804801 | PACKING | 1 | | 37.99 |
| 003 | A04800201 | PISTON | 1 | | 303.11 |
| 004 | A04800301 | PISTON ROD | 1 | | 139.03 |
| 005 | A04800401 | ADJUSTING BOLT | 1 | | 160.04 |
| 007 | A04800701 | HANDLE COVER | 1 | | 60.62 |
| 008 | A04804701 | PLASTIC NUT | 1 | | 13.27 |
| 009 | A04801501 | SPRING | 1 | | 13.27 |
| 010 | A04801602 | TUBE | 1 | | 215.82 |
| 011 | A04801201@ | TRIGGER UNIT | 1 | | 178.64 |
| 012 | A04802301 | SHAFT | 1 | | 13.74 |
| 013 | A04802501 | PLATE | 2 | | 13.27 |
| 014 | A04800501 | ADJUSTING NUT | 1 | | 43.78 |
| 015 | A04800601 | BODY | 1 | | 1,527.69 |
| 016 | A04804401 | BUSH | 1 | | 22.63 |
| 017 | A04800801 | ADJUSTING ROD | 1 | | 19.40 |
| 018 | A04800901 | WASHER | 1 | | 13.27 |
| 019 | A04801002 | WASHER | 1 | | 42.84 |
| 020 | A04801101 | PLATE SPRING | 1 | | 24.25 |
| 021 | A04804901 | WASHER | 1 | | 13.27 |
| 022 | A04803901 | STOPPER | 1 | | 29.91 |
| 023 | A04804002 | SPRING | 1 | | 13.27 |
| 024 | A04803401@ | COVER UNIT | 1 | | 382.33 |
| 025 | A04803301 | ROLLER | 1 | | 29.91 |
| 026 | A04803701 | PUSHER | 1 | 19-35 | 50.11 |
| 026 | A04803702 | PUSHER | 1 | 19-32 | 50.11 |
| 026 | A04803703 | PUSHER | 1 | 19-34 | 50.11 |
| 027 | A04803601 | SPRING | 1 | | 24.25 |
| 028 | A04802801@ | MAGAZINE UNIT | 1 | 19-35 | 1,602.87 |
| 028 | A04802802@ | MAGAZINE UNIT | 1 | 19-32 | 1,602.87 |
| 028 | A04802803@ | MAGAZINE UNIT | 1 | 19-34 | 1,602.87 |
| 029 | A04804501 | PLATE | 2 | | 13.27 |
| 030 | A04803001@ | DRIVER GUIDE UNIT | 1 | 19-35 | 151.96 |
| 030 | A04803002@ | DRIVER GUIDE UNIT | 1 | 19-32 | 151.96 |
| 030 | A04803003@ | DRIVER GUIDE UNIT | 1 | 19-34 | 151.96 |
| 031 | A04804301 | DRIVER | 1 | 19-35 | 129.33 |
| 031 | A04804302 | DRIVER | 1 | 19-32 | 129.33 |
| 031 | A04804303 | DRIVER | 1 | 19-34 | 129.33 |
| 032 | A04802401 | SPRING | 1 | | 13.27 |

| Model : MP-19 | | | | | |
|---------------|-------------|------------------------------------|------|---------------|-----------------|
| Item | No. Parte | Descripción | Q'ty | Specification | Precio de Lista |
| 033 | A04802201 | ADJUSTING ROD | 1 | 19-34,19-35 | 141.45 |
| 033 | A04802202 | ADJUSTING ROD | 1 | 19-32 | 141.45 |
| 034 | A04802601 | SPRING | 1 | | 13.27 |
| 035 | MP-19-35-P6 | ADJUSTING ROD UNIT ROD UNIT | 1 | | 379.09 |
| 036 | A04802001 | PLATE A | 1 | | 64.66 |
| 037 | A04802101 | PLATE B | 1 | | 67.09 |
| 038 | A04801803@ | CLINCHER, RIGHT | 1 | 19-35, 19-34 | 126.10 |
| 038 | A04801804@ | CLINCHER, RIGHT | 1 | 19-32 | 126.10 |
| 039 | A04801903@ | CLINCHER, LEFT | 1 | 19-35, 19-34 | 126.10 |
| 039 | A04801904@ | CLINCHER, LEFT | 1 | 19-32 | 126.10 |
| 040 | A04801701 | SPRING | 2 | | 13.27 |
| 041 | A00100803 | AIR PLUG | 1 | European Type | 23.44 |
| 042 | A04805201 | SHAFT | 1 | | 18.59 |
| 043 | A04805301 | SHAFT | 1 | | 18.59 |
| 501 | C0011302 | RING | 1 | | 13.27 |
| 502 | BAC0604102 | HEX.SOC.HD.BOLT | 4 | M4×0.7-10 | 13.27 |
| 503 | BAD02061 | HEX.NUT | 1 | M6×1 | 13.27 |
| 504 | BAB035440 | O-RING | 1 | φ3.53×φ44.05 | 22.63 |
| 505 | BAF10202 | E-RING | 2 | φ2 | 13.27 |
| 506 | BAB019078 | O-RING | 1 | φ1.9×φ7.8 | 13.27 |
| 507 | BAB026123 | O-RING | 1 | φ2.62×φ12.37 | 13.27 |
| 508 | BAG020602 | HELI-COIL | 1 | M6×1.0-2D | 17.78 |
| 509 | BAC0406401 | HEX.SOC.HD.BOLT | 1 | M6×1-40 | 13.27 |
| 510 | BAF10202 | E-RING | 2 | φ2 | 13.27 |
| 511 | BAF10202 | E-RING | 2 | φ2 | 13.27 |
| 512 | BAC0204082 | HEX.SOC.FLAT COUNTER SNK HD. SCREW | 1 | M4×0.7-8 | 13.27 |
| 513 | BAA025012 | SPRING PIN | 1 | φ2.5-12 | 13.27 |
| 514 | BAA025018 | SPRING PIN | 1 | φ2.5-18 | 13.27 |
| 515 | BAA025004 | SPRING PIN | 4 | φ2.5-4 | 13.27 |
| 516 | BAC0102101 | FLAT HD. SCREW | 4 | M2.6×0.45-10 | 13.27 |
| 517 | BAA020006 | SPRING PIN | 2 | φ2-6 | 13.27 |
| 518 | BAH01013 | STEEL BALL | 1 | φ1.5 | 13.27 |
| 519 | BAF10402 | E-RING | 1 | φ4 | 13.27 |
| 520 | BAB015090 | O-RING | 4 | φ1.5×φ9 | 13.27 |
| 521 | BAB015030 | O-RING | 1 | φ1.5×φ3 | 13.27 |
| 522 | BAB015050 | O-RING | 2 | φ1.5×φ5 | 13.27 |
| 523 | BAA040008 | SPRING PIN | 4 | φ4-8 | 13.27 |
| 524 | BAC0308062 | HEX. SOC. HEADLESS SCREW | 1 | M8×1.25-6 | 13.27 |

*Precios en moneda nacional