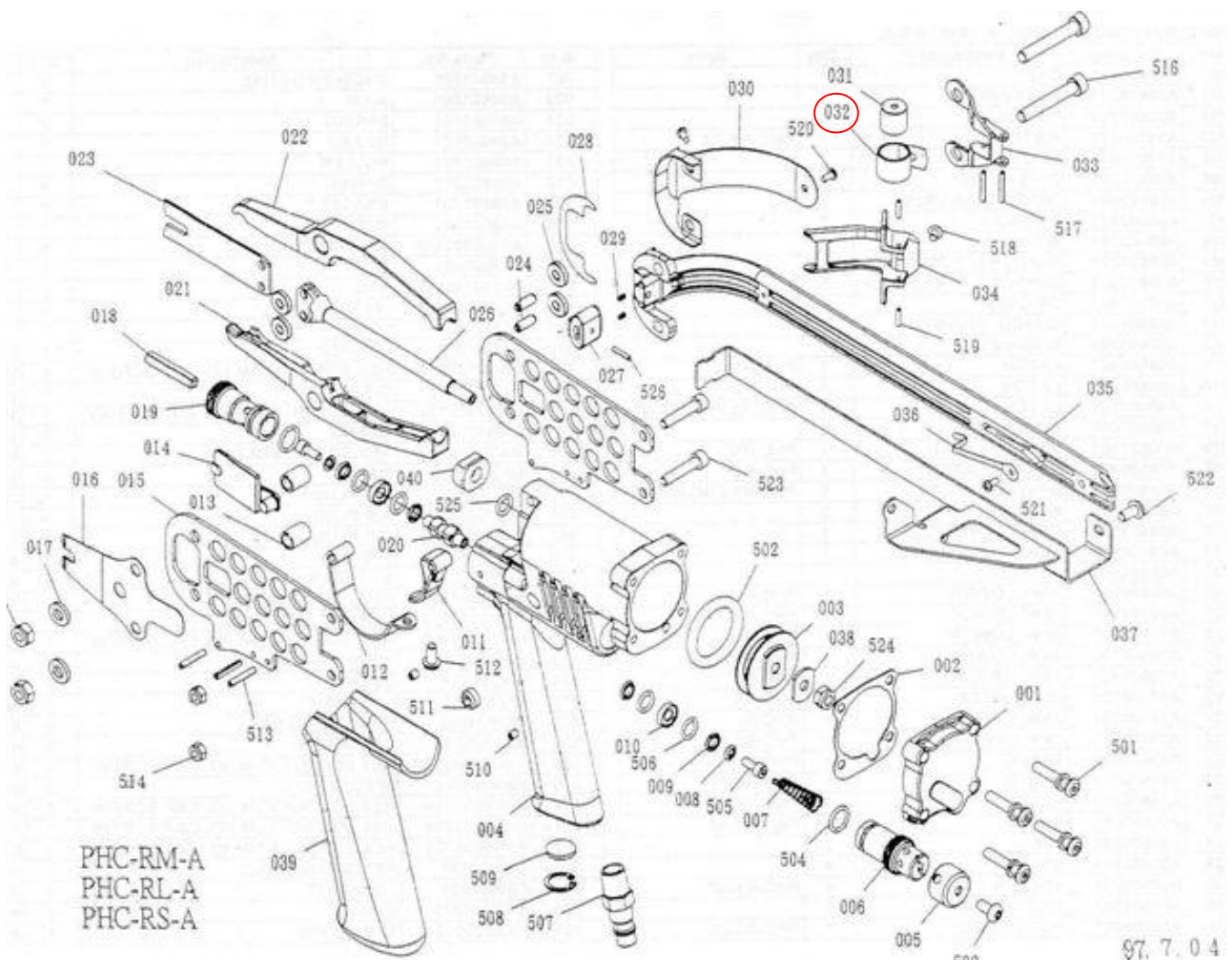


## DESPIECE DE LA HERRAMIENTA

Usted encontrará con un círculo rojo las piezas de desgaste recomendadas para mantener en stock



Resorte: 032  
Kit: Un resorte

Model : PHC-RM, PHC-RL, PHC-RS					
Item	No. Parte	Descripción	Q'ty	Specification	Precio de Lista
001	A08600101	CAP	1		396.07
002	A08600201	PACKING	1		53.35
003	A08600301	PISTON	1		367.78
003	A10500901	PISTON	1	PHC-RS-A5	367.78
004	A08600401	BODY	1		6,771.97
005	A08602701	DEFLECTOR	1		221.48
006	A08602601	SEAT REAR VALVE	1		354.85
007	A08602501	SPRING	1		20.21
008	A08603701	WASHER	2		34.76
009	A08603201	SUPPORT, O-RING END	4		37.18
010	A08603301	SUPPORT, O-RING CENTER	2		46.88
011	A08603401	TRIGGER	1		123.67
012	A08601201	GUARD TRIGGER	1		51.73
013	A08601302	BUSHING	2		101.85
014	A08600901	LATCH	1	PHC-RM	135.80
014	A09500301	LATCH	1	PHC-RL	143.88
014	A10500701	LATCH	1	PHC-RS-A5	149.54
015	A08601001	SIDE PLATE	2		244.11
016	A08601101	SPRING LATCH	1	PHC-RM	51.73
016	A09500401	SPRING LATCH		PHC-RL	49.31
016	A09500501	SPRING LATCH	1	PHC-RS-A5	55.77
017	A08603601	WASHER	2		10.51
018	A08603001	STEM THROTTLE	1		38.80
019	A08602901	SEAT, FRONT VALVE	1		416.28
020	A08602801	SPACER	1		133.37
021	A08600701	JAW, LOWER	1	PHC-RM	1,065.34
021	A09800101	JAW, LOWER	1	PHC-RS	1,049.99
021	A10100101	JAW, LOWER	1	PHC-RL	1,089.59
021	A10500101	JAW, LOWER	1	PHC-RS-A5	1,092.02
022	A08600801	JAW, UPPER	1	PHC-RM	1,065.34
022	A09800201	JAW, UPPER	1	PHC-RS	1,049.99
022	A10100201	JAW, UPPER	1	PHC-RL	1,089.59
022	A10500201	JAW, UPPER	1	PHC-RS-A5	1,092.02
023	A08600601	BLADE	1	PHC-RM	234.41
023	A09500501	BLADE	1	PHC-RL	55.77
023	A09800301	BLADE	1	PHC-RS	180.25
023	A10500601	BLADE	1	PHC-RS-A5	172.17
024	A08603801	PIN	2		60.62
025	A08603501	ROLLER	4		0.00
025	A10500301	ROLLER	4	PHC-RS-A5	101.85
026	A08600501	PISTON ROD	1		2,039.35

Model : PHC-RM, PHC-RL, PHC-RS					
Item	No. Parte	Descripción	Q'ty	Specification	Precio de Lista
026	A10500401	PISTON ROD	1	PHC-RS-A5	2,039.35
027	A08601801	SHOE, MAGAZINE	1		164.09
028	A08601901	SHIM	1		15.36
029	A08603101	SPRING	2		3.23
030	A08602101	GUARD	1		152.77
031	A08602301	ROLLER	1		27.48
032	A08602201	SPRING	1		74.36
033	A08601701	BRACKET	1		221.48
034	A08601601	PUSHER	1		280.48
035	A08602001@	MAGAZINE BODY	1		608.65
036	A08602401	CLIP	1		33.95
037	A08601401@	RAIL	1		1,201.95
038	A08604201	WASHER	1		11.32
039	A08604401	GRIP	1		178.64
040	A10500501	BUMPER	1	PHC-RS-A5	36.37
501	BAC2105252	HEX. SOC. BUTTOM HD. CAP	4	M5x0.8-25	13.27
502	BAB053279	O-RING	1	ψ5.33 x ψ27.94	30.72
503	BAC0905102	HEX. SOC. BUTTOM HD. CAP	1	M5x0.8-10	13.27
504	BAB017108	O-RING	2	ψ1.78x ψ10.82	13.27
505	BAC0404102	HEX. SOC. HD. BOLT	2	M4x0.7-10	13.27
506	BAB017079	O-RING	4	ψ1.78x ψ7.94	13.27
507	A00100802	AIR PLUG	1		21.02
508	BAF21602	C-RING	1	ψ16	13.27
509	BAI1402	SILENCER	1	ψ15.4x2mm	44.46
510	BAC0304052	HEX. SOC. HDLESS BOLT	2	M4x0.7-5	13.27
511	BAC0310072	HEX. SOC. HDLESS BOLT	1	M10x0.1-7	42.03
512	BAC0905102	HEX. SOC BUTTOM	1	M5x0.8-10	13.27
513	BAA030018	SPRING PIN	3	ψ3-18	13.27
514	BAD01051	LOCK NUT	2	M5	13.27
515	BAD01061	LOCK NUT	2	M6	13.27
516	A08604001	HEX. SOC. HD. BOLT	2	M6x1-37	42.03
517	BAA025018	SPRING PIN	2	ψ2.5-18	13.27
518	BAC0904052	HEX. SOC BUTTOM	1	M4x.7-5	13.27
519	BAA025010	SPRING PIN	2	ψ2.5-10	13.27
520	BAC0903104	HEX. SOC BUTTOM	2	M3x.5-10	13.27
521	BAC0903064	HEX. SOC BUTTOM	1	M3x.5-6	13.27
522	BAC0905102	HEX. SOC BUTTOM	1	M5x.8-10	13.27
523	A08604101	HEX. SOC. HD. BOLT	2	M5x.8-23.5	38.80
524	A08604501	LOCK NUT	1	M6x1	38.80
525	BAB019078	O-RING	1	ψ1.xψ7.8	13.27
526	BAA025012	SPRING PIN	1	ψ2.5-12	13.27